

ELLISSE FLOOR/WALL

Federico Palazzari

Collection of LED pendants, floor/wall lamps available in different versions: major, minor, double, triple and mega provides a direct or indirect diffused light.

In extruded aluminum in different versions: matt lacquered in the finishes, white, black and gold, natural polished and gold polished anodized.

Equipped with an opal diffuser.

The lamps are made using a proprietary extrusion coupling technology.

Ellisse Major is also available as floor or wall versions and is provided with a black marble base or a wall hook accessory.



LED

LAMPING

| | |
|-------------------|---|
| Source | linear LED |
| Total power | 66W |
| Emission | diffused orientable |
| Switching | dimmable |
| Tension | 110/240V |
| Color temperature | 2700K |
| Luminous flux | 3450lm |
| Typ CRI | 85 |
| Materials | Aluminium |
| Notes | dimmer on cable, cable length 5m, base and wall hanger to be ordered separately |
| Accessories | Base, black marquinia marble Wall hanger, aluminium gold polished anodized |
| Net lamp weight | 5 kg |

Codes

ELP LNN 21
ELP LGN 21

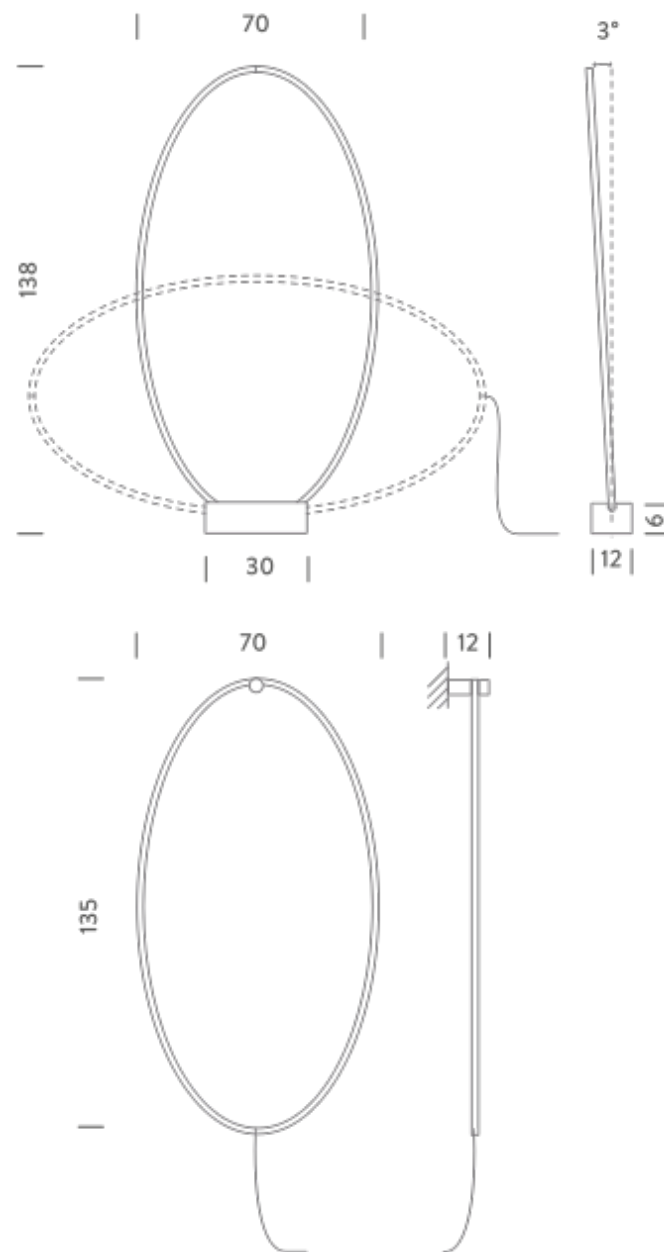
Structure/Diffuser

black/white
gold polished anodized/white

PACKAGE

Package 01 Dimension: 15x80x150 cm / Gross weight: 7,5 kg

Certificazioni



ACCESSORY:

base



wall hanger

