

Bevel Series





Bevel Series

Made entirely from solid wood, the broad, sculpted legs of our round Bevel Tables add a modern edge to the otherwise classic design. Available with up to two extension leaves, the tables are minimally detailed with gently rounded edges for a soft expression. Also belonging to the Bevel family is the Bevel Bench, whose gently rounded edges perfectly complement the series' tables.

PRODUCT INFO

- Product type:** Table for indoor use
- Origin:** Europe
- Design:** ferm LIVING
- Sustainability:** FSC™ certified oak or beech
- Safety:** Do not stand on the table. To prevent potential injuries and structural failures, this table should not be used for other than its intended purpose
- Care instructions:** Clean with a damp cloth tightly wrung out in clean water. Then polish with a soft, dry cloth.





1102752851
White Oiled Oak



1100392812
Black Oiled Oak



1104267442
White Oiled Beech



BEVEL TABLE EXTENDABLE X 1

Size: Ø: 117 x H: 73 cm
Ø: 46.1 x H: 28.7 in
Material: FSC™ certified solid oak or beech.
Oiled
Care: Wipe with a damp cloth.
Do not leave the surface wet
Info: Extendable with one extension.
L : 117-167 cm / L : 46-65.7 in.
Registered design
Country: Croatia
Net. weight: 59 kg
Packsize: 1



1102762851
White Oiled Oak



1100412812
Black Oiled Oak



1104267443
White Oiled Beech



BEVEL TABLE EXTENDABLE X 2

Size: Ø: 117 x H: 73 cm
Ø: 46.1 x H: 28.7 in
Material: FSC™ certified solid oak or beech.
Oiled
Care: Wipe with a damp cloth.
Do not leave the surface wet
Info: Extendable with two extensions.
L : 117-217 cm / L : 46-85.4 in.
Extra leg provided for when used
with two extensions.
Registered design
Country: Croatia
Net. weight: 73 kg
Packsize: 1



1102742851
White Oiled Oak



1100452812
Black Oiled Oak



1104267441
White Oiled Beech

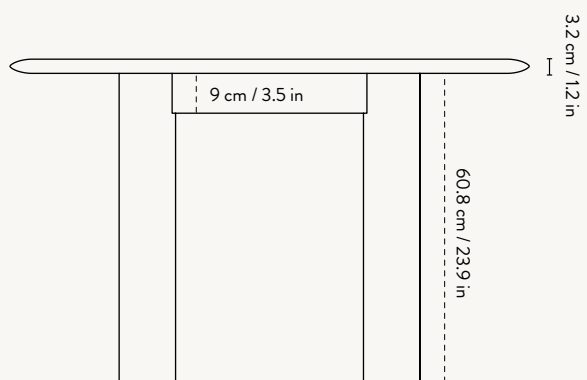


BEVEL BENCH

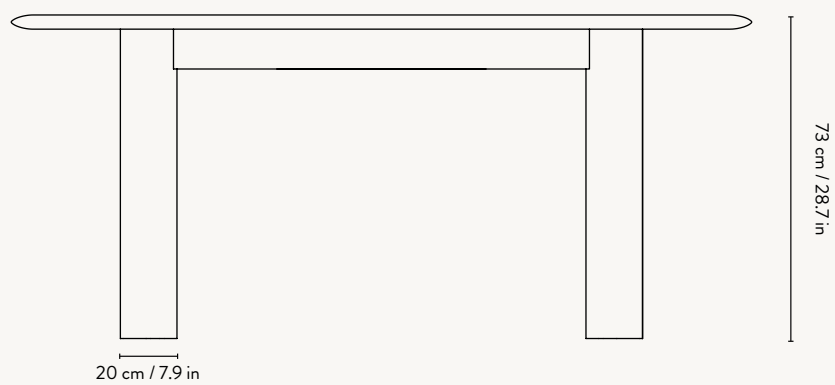
Size: H: 45 x W: 90 x D: 35 cm
H: 17.7 x W: 35.4 x D: 13.8 in
Material: FSC™ certified solid oak or beech.
Oiled
Care: Wipe with a damp cloth.
Do not leave the surface wet
Info: Registered design
Country: Croatia
Net. weight: 11 kg
Packsize: 1

Bevel Table Extendable x 1

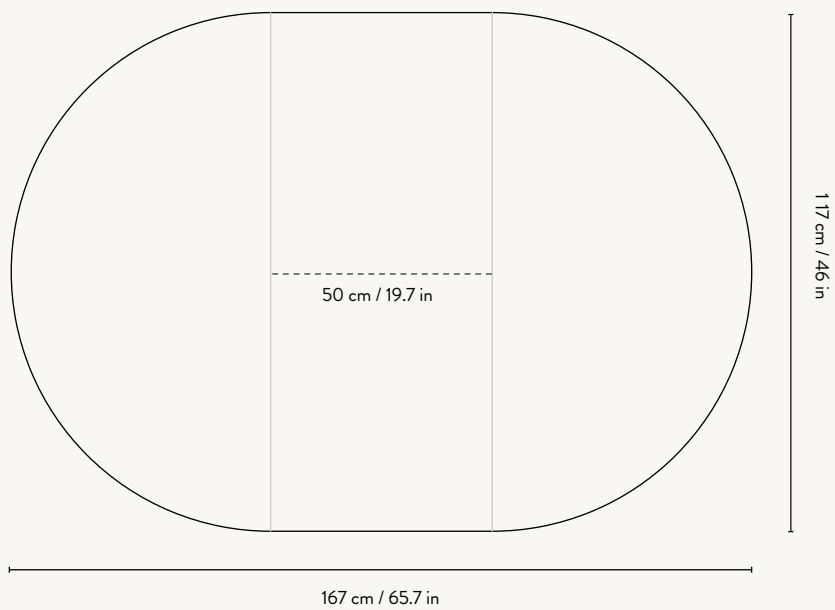
SIDE VIEW



FRONT VIEW

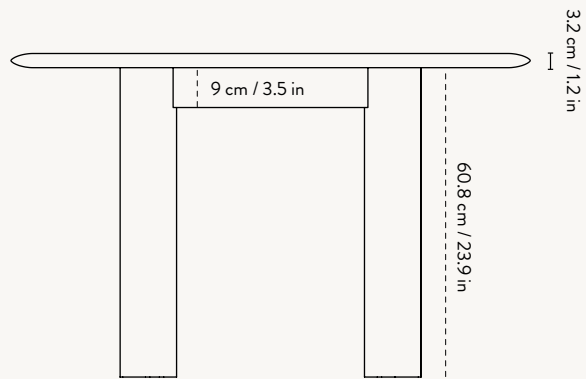


TOP VIEW

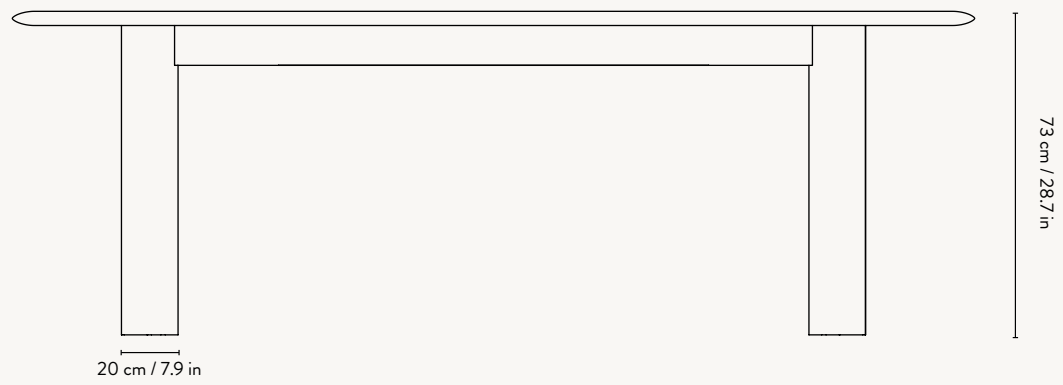


Bevel Table Extendable x 2

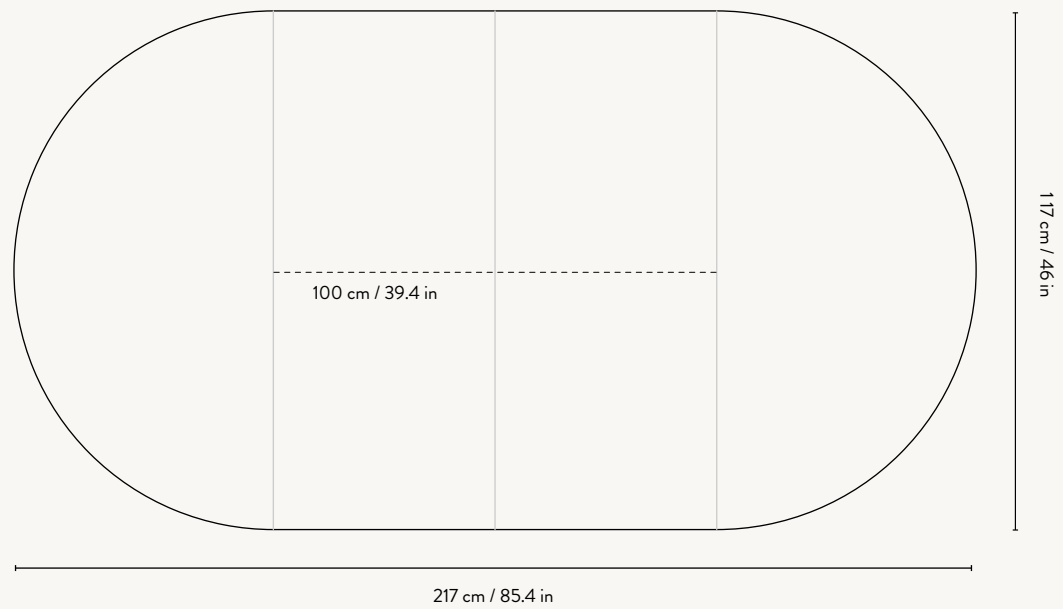
SIDE VIEW



FRONT VIEW

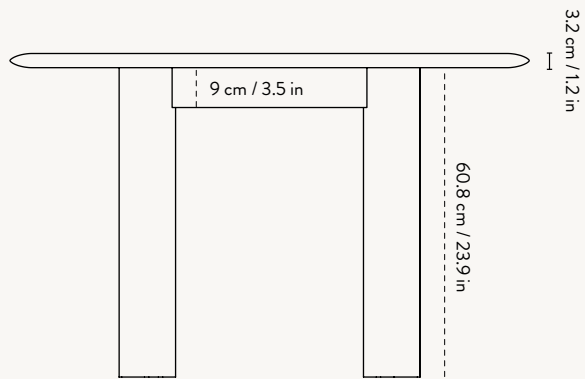


TOP VIEW

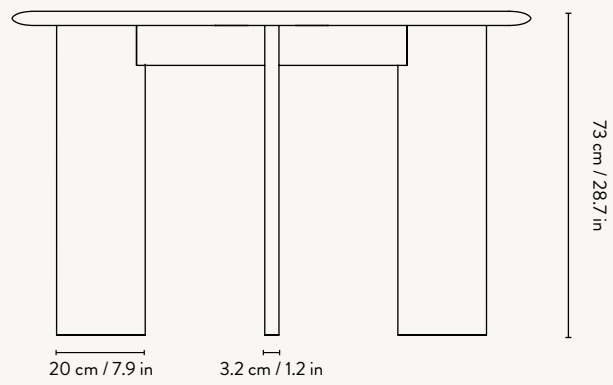


Bevel Table - Without Extension Plates

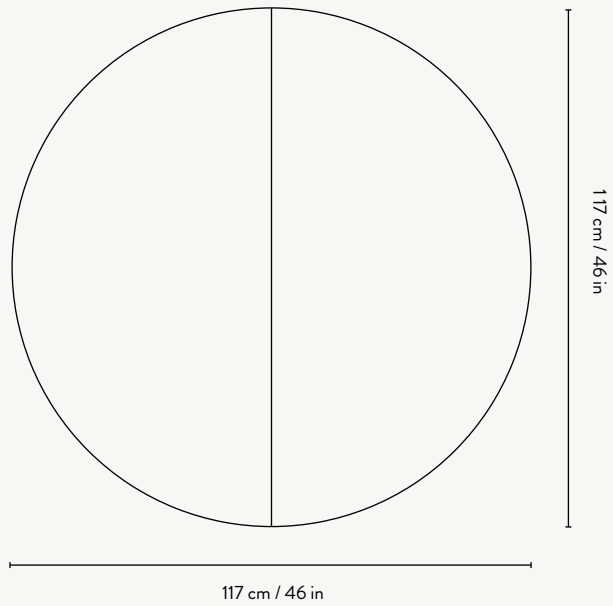
SIDE VIEW



FRONT VIEW

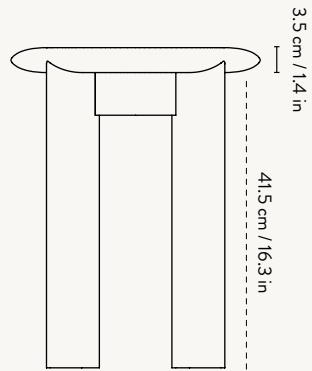


TOP VIEW

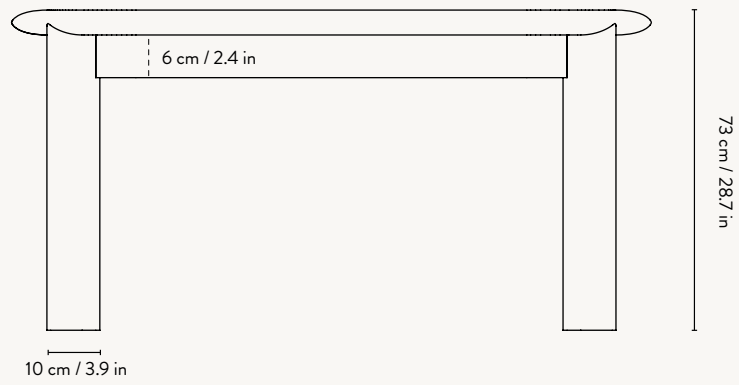


Bevel Bench

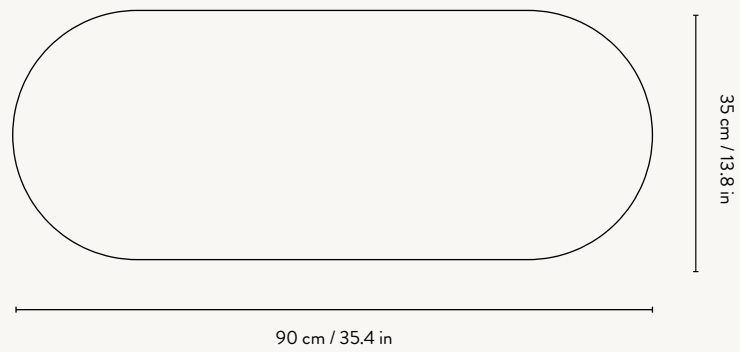
SIDE VIEW



FRONT VIEW



TOP VIEW

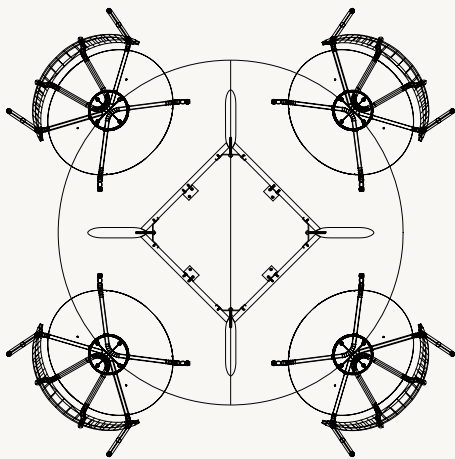


Bevel

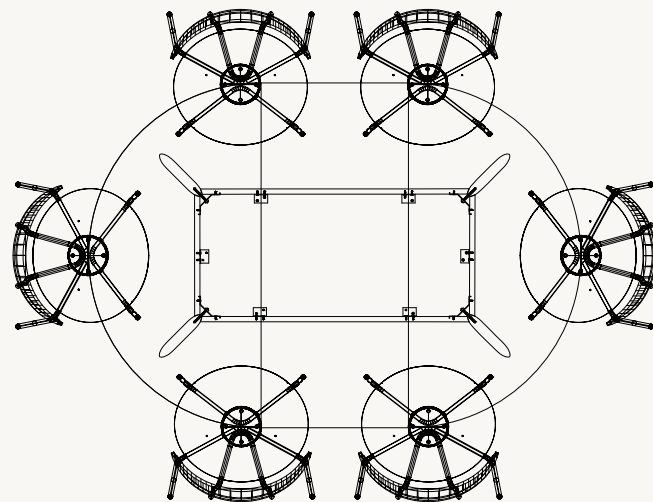
Seating overview

BASED UPON HERMAN CHAIR AND 60 CM SEATING SPACE PER PERSON

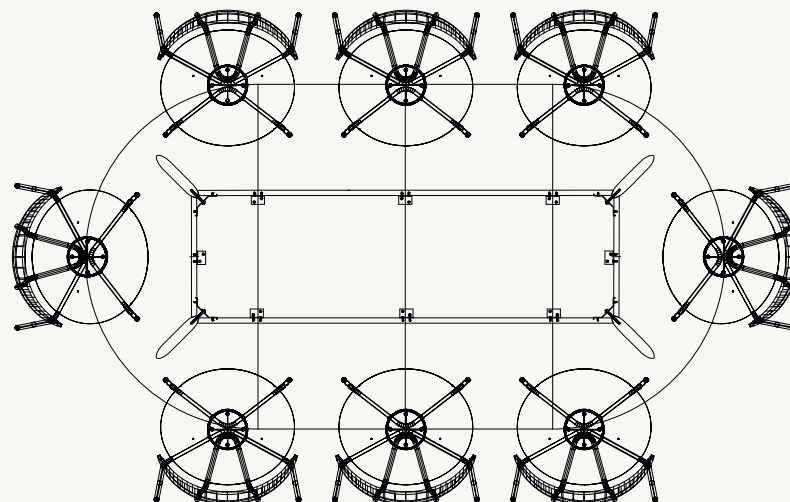
BEVEL TABLE - WITHOUT EXTENSION PLATES
4 CHAIRS



BEVEL TABLE - EXTENDABLE X1
6 CHAIRS



BEVEL TABLE - EXTENDABLE X2
8 CHAIRS



Space to feel comfortably you