



Maris End Table - Ecru White / Italian Aurora Marble

The Maris End Table features a bold, cylindrical, tiered silhouette that creates a striking statement piece, elevating contemporary and luxury interiors. Finished in a high gloss PU coating and an Italian Aurara marble top with natural veining, delivering a refined, high-end surface that is both durable and visually distinctive.

A discreet built-in drawer provides convenient storage for small essentials such as remotes, books, chargers, or bedside items, keeping surfaces clutter-free.



Product Highlights

- Finished with a marble top featuring natural veining, offering a luxurious surface that elevates the overall look while providing durability for everyday use.
- Compact yet functional, making it ideal for small spaces without sacrificing storage.



Product Type

End Table

Environment

Indoor

Country of Origin

China

Material

- MDF
- Italian Aurora Marble

Upholstery

N/A

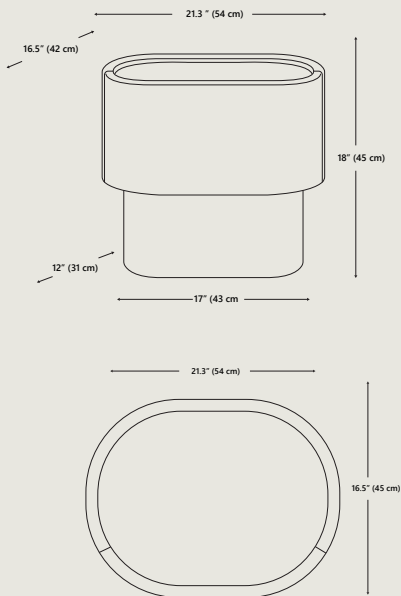
Assembly Requirements

N/A



Cleaning & Care

- Regularly dust the surface using a soft, dry cloth to remove dirt and debris.
- Wipe gently with a damp cloth if needed. Dry immediately with a clean, dry cloth to prevent moisture buildup.
- Avoid prolonged exposure to heat sources and excessive moisture, as this may damage the surface.
- Avoid contact with acidic or corrosive substances, which may cause surface damage or discoloration.



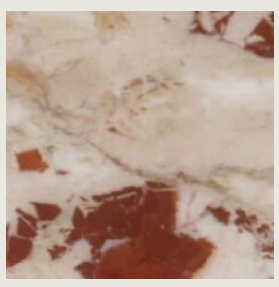
Dimensions	Overall Dimensions	21.3" W x 16.5" D x 18" H 54 cm x 42 cm x 45 cm	
Packaging Dimensions	Height	22"	57 cm
	Width	26"	66 cm
	Depth	21.3"	54 cm
Net Weight	66.2 lbs	30 kgs	
Gross Weight	77.2 lbs	35 kgs	

COLOR OPTIONS



Variant:
Ecru White

TOP TABLE



Italian Aurara Marble