



Etang Dining Chair

Inspired by the organic, fluid forms found in nature, the Etang Dining Chairs embody the serene qualities of water. The circular seats evoke the still, calming surface of a pond, offering both exceptional comfort and timeless elegance. This sculptural element contrasts beautifully with the sleek, solid wood frames, achieving a harmonious balance between organic shapes and modern craftsmanship.



- Product Highlights**
- Handmade by our artisans, combining style, comfort, and tranquility.
 - Perfect complement to any dining room or kitchen.



Product Type Dining Chair

Environment Indoor

Country of Origin Indonesia

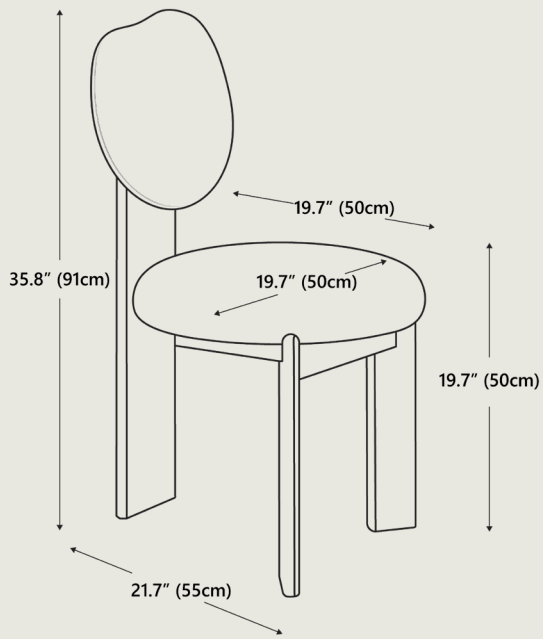


Material Solid Mindi Wood

- Upholstery**
- 80% Polyurethane Foam
 - 20% Polyester Fiber Batting

Assembly Requirements N/A

- Cleaning & Care**
- Regularly dust the surface using a soft, dry cloth to remove dirt and debris.
 - Wipe gently with a damp cloth if needed. Dry immediately with a clean, dry cloth to prevent moisture buildup.
 - Avoid prolonged exposure to heat sources and excessive moisture, as this may damage the surface.
 - Avoid contact with acidic or corrosive substances, which may cause surface damage or discoloration.

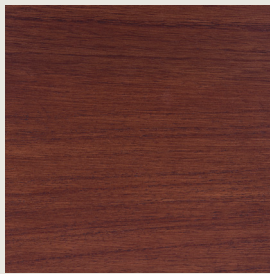


Dimensions	Overall dimensions	19.7" W x 21.7" D x 35.8" H 50 cm x 55 cm x 91 cm	
	Seat height	19.7"	50 cm
Packaging Dimensions	Height	37.4"	95 cm
	Weight	19.7"	50 cm
	Depth	22.8"	58 cm
Net Weight	21.4 lbs	9.7 kgs	
Gross Weight	31.4 lbs	14.3 kgs	

COLOR OPTIONS



Variant:
Black Wood



Variant:
Light Roasted Coffee