



Cantera Stainless Steel Lounge Chair

The Cantera Burlwood Lounge Chair is built from high-quality stainless steel and Cal117-compliant deep foam cushioning for lasting strength and resilience. The brushed stainless steel finish / mirror-polished finish lends a refined, architectural touch that stands out in any space. The box-style arms offer exceptional comfort, while the recessed plinth base gives the chair a grounded, floating appearance.



Product Highlights

- Cantera Stainless Steel Lounge Chair is handmade by our artisans.
- Subtle polish lines on the stainless steel are a natural result of hand-finishing and part of its craftsmanship, not defects.



Product Type

Lounge Chair

Environment

Indoor

Country of Origin

Indonesia

Material

- Stainless Steel 304 1.5mm
- Plywood
- Cal117 Foam

Upholstery

- 91% Polyurethane Foam
- 9% Polyester Fiber Bating

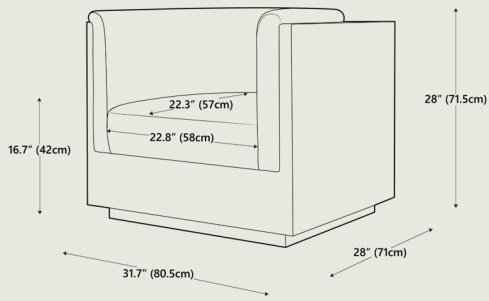
Assembly Requirements

N/A

Cleaning & Care

- Regularly dust the surface using a soft, dry cloth to remove dirt and debris.
- Wipe gently with a damp cloth if needed. Dry immediately with a clean, dry cloth to prevent moisture buildup.
- Avoid prolonged exposure to heat sources and excessive moisture, as this may damage the surface.
- Avoid contact with acidic or corrosive substances, which may cause surface damage or discoloration.





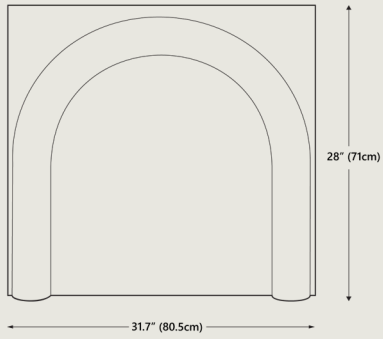
Dimensions

Overall dimensions 31.7" W x 28" D x 28" H
80.5 cm x 71 cm x 71.5 cm

Seat High 16.7" | 42 cm

Packaging Dimensions

Height 32.9" | 83.5 cm
Width 36.4" | 92.5 cm
Depth 32.3" | 82 cm



Net Weight

108.4 lbs | 49.2 kgs

Gross Weight

148.5 lbs | 67.4 kgs

COLOR OPTIONS



Variant:
Mirror Polished



Variant:
Vibration Finish