



## Cantera Burlwood Lounge Chair

The Cantera Burlwood Lounge Chair is the perfect blend of modern design and natural beauty that will make you feel like you're sitting in a piece of functional sculpture. The Cal117-compliant deep foam cushioning and box-style arms offer exceptional comfort, while the recessed plinth base gives the chair a grounded, floating appearance.



### Product Highlights

- The mappa burl veneer panels showcase unique grain patterns that make every piece truly one of a kind.
- Perfect for living rooms, bedrooms, or sophisticated office spaces where you want to make an unforgettable impression.



### Product Type

Lounge Chair

### Environment

Indoor

### Country of Origin

Indonesia

### Material

- MDF
- Mappa Burl Veneer
- Cal117 Foam

### Upholstery

- 91% Polyurethane Foam
- 9% Polyester Fiber Bating

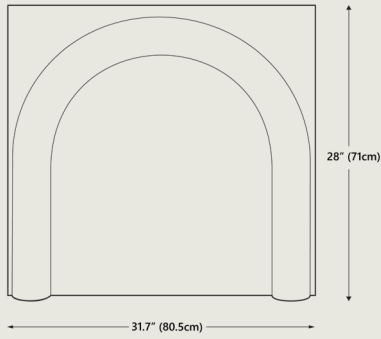
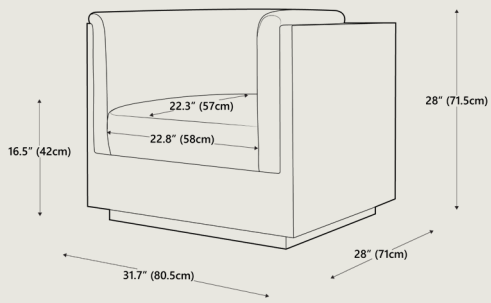
### Assembly Requirements

N/A



### Cleaning & Care

- Regularly dust the surface using a soft, dry cloth to remove dirt and debris.
- Wipe gently with a damp cloth if needed. Dry immediately with a clean, dry cloth to prevent moisture buildup.
- Avoid prolonged exposure to heat sources and excessive moisture, as this may damage the surface.
- Avoid contact with acidic or corrosive substances, which may cause surface damage or discoloration.



**Dimensions**

**Overall dimensions** 31.7" W x 28" D x 28.1" H  
80.5 cm x 71 cm x 71.5 cm

**Seat High** 16.7" | 42 cm

**Packaging Dimensions**

**Height** 32.1" | 81.5 cm  
**Width** 35.2" | 89.5 cm  
**Depth** 31.1" | 79 cm

**Net Weight**

83.7 lbs | 38 kgs

**Gross Weight**

98.7 lbs | 44.8 kgs

**COLOR OPTIONS**



Variant:  
Mappa Burl