



Callie 150 Round Table

The Callie Round Dining Table features a round top and a distinctive base that create a bold architectural statement, transforming the table into a functional piece of art for any dining space.

The hand applied Mortex coating, a multifunctional decorative finish developed in Belgium that offers a mineral appearance similar to waxed concrete, smooth concrete, and Tadelakt, makes it highly resistant to stains, scratches, and moisture.



Product Highlights

- A bold architectural dining table with a sculptural round top and distinctive base, crafted as a functional piece of art.
- Minor variations and small surface imperfections are normal and reflect the table's handmade nature.



Product Type

Dining Table

Environment

Indoor

Country of Origin

Indonesia

Material

- MDF
- Solid Pine Wood
- Mortex (high-quality microcement from Belgium)

Upholstery

N/A

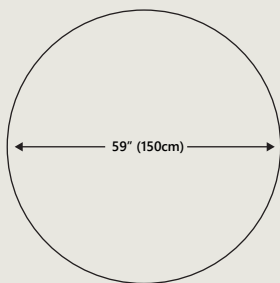
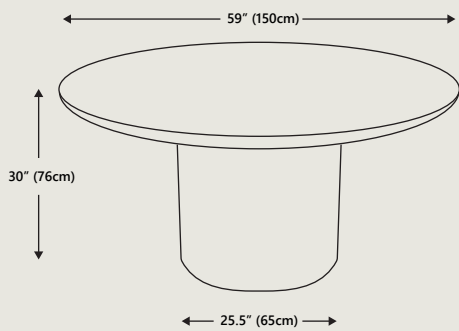
Assembly Requirements

Yes



Cleaning & Care

- Regularly dust the surface using a soft, dry cloth to remove dirt and debris.
- Wipe gently with a damp cloth if needed. Dry immediately with a clean, dry cloth to prevent moisture buildup.
- Avoid prolonged exposure to heat sources and excessive moisture, as this may damage the surface.
- Avoid contact with acidic or corrosive substances, which may cause surface damage or discoloration.



Dimensions

Overall Dimensions

Ø59" Dia x 30" H
Ø150 cm Dia x 76 cm

Packaging Dimensions (Tabletop)

Height 6.3" | 16 cm
Width 64.2" | 163 cm
Depth 64.2" | 163 cm

Packaging Dimensions (Base)

Height 32.3" | 82 cm
Width 30.9" | 78.5 cm
Depth 30.9" | 78.5 cm

Net Weight

69.1 lbs | 31.4 kgs
159.8 lbs | 72.5 kgs

Gross Weight

126.2 lbs | 57.3 kgs
197.5 lbs | 89.6 kgs

COLOR OPTIONS



Variant:
Light Sand