



## Callie 120 Round Table

The Callie Round Dining Table features a round top and a distinctive base that create a bold architectural statement, transforming the table into a functional piece of art for any dining space.

The hand applied Mortex coating, a multifunctional decorative finish developed in Belgium that offers a mineral appearance similar to waxed concrete, smooth concrete, and Tadelakt, makes it highly resistant to stains, scratches, and moisture.



### Product Highlights

- A bold architectural dining table with a sculptural round top and distinctive base, crafted as a functional piece of art.
- Minor variations and small surface imperfections are normal and reflect the table's handmade nature.



### Product Type

Dining Table

### Environment

Indoor

### Country of Origin

Indonesia

### Material

- MDF
- Solid Pine Wood
- Mortex (high-quality microcement from Belgium)

### Upholstery

N/A

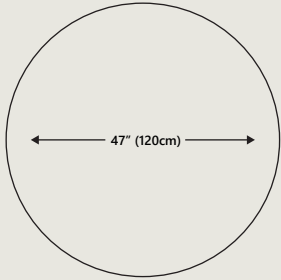
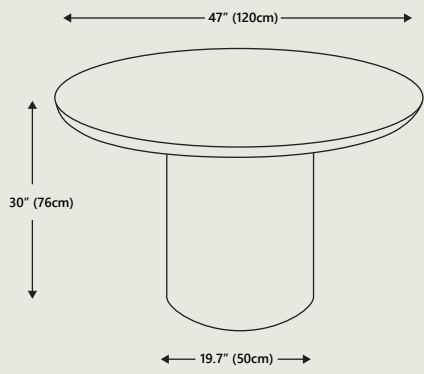
### Assembly Requirements

Yes



### Cleaning & Care

- Regularly dust the surface using a soft, dry cloth to remove dirt and debris.
- Wipe gently with a damp cloth if needed. Dry immediately with a clean, dry cloth to prevent moisture buildup.
- Avoid prolonged exposure to heat sources and excessive moisture, as this may damage the surface.
- Avoid contact with acidic or corrosive substances, which may cause surface damage or discoloration.



**Dimensions**

**Overall Dimensions**

Ø47" Dia x 30" H  
 Ø120 cm Dia x 76 cm

**Packaging Dimensions (Tabletop)**

Height 6.3" | 16 cm  
 Width 51.4" | 130.6 cm  
 Depth 51.4" | 130.6 cm

**Packaging Dimensions (Base)**

Height 33.5" | 85.2 cm  
 Width 25" | 63.5 cm  
 Depth 25" | 63.5 cm

**Net Weight**

51.5 lbs | 23.4 kgs  
 86.2 lbs | 39.1 kgs

**Gross Weight**

78.9 lbs | 35.8 kgs  
 116.4 lbs | 52.8 kgs

**COLOR OPTIONS**



Variant:  
Light Sand



Variant:  
Charcoal