

SECTOR SHELF & DESK

PRODUCT INFO



ferm
LIVING

SECTOR SHELF & DESK

A new and modern take on mid-century shelving units, Sector is defined by its sturdy simplicity and classic combination of wood and brass. Choose between natural oak veneer or black stained ash veneer with brackets of either polished or blackened brass.

The Sector Shelves can be used as a standalone shelf, or combined to form one larger shelving unit. Use them to display books and favourite objects in the office or living room, or for open storage in the kitchen. The shelving system is available in two sizes and is attached to the wall by the solid wood uprights with visible brass or black screws.

The Sector Desk can likewise be used as a standalone surface or combined with the Sector Shelves of your choice to form one integrated and cohesive workspace. A short border at the end of the desk forms a small, narrow space that's ideal for propping up hand-written notes or a favourite photograph.

PRODUCT DETAILS

Product type: For domestic use. For contract use, please contact ferm LIVING sales

Origin: Poland and India

Construction: Shelf: Natural oak / black stained ash veneer with MDF core
Profiles: Natural solid oak / black stained solid ash
Brackets: Brass or black brass with matte polish

ferm LIVING is determined to ensure a shelving system that will last for several years, without compromising its appearance.

Info: Screws and rawlplugs for wall mounting included.
Registered design

Assembly: The shelving system contains the following parts:

- Shelf / shelves
- Profiles
- Brackets
- Screws and rawlplugs
- Hanging rod (only Rack Shelf)
- Assembly manual

Step-by-step:

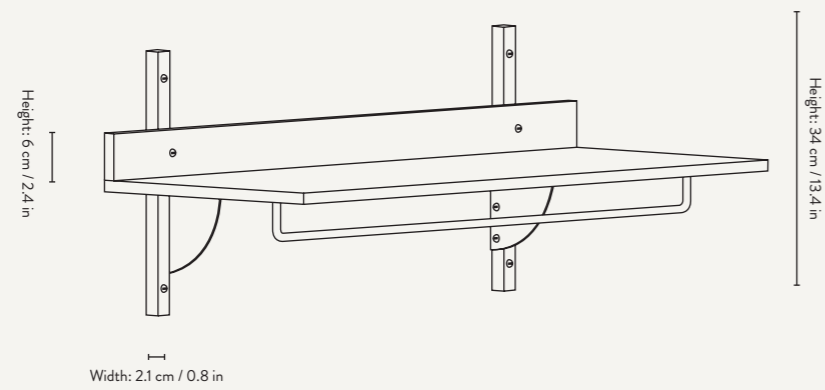
1. Start by mounting the brackets to each shelf.
Two brackets per shelf and two short screws for each bracket.
2. Place the two profiles on a stable surface, like the floor or a solid table. The sides with the large holes should turn upwards.
Start by attaching the upper shelf to the profiles and end with the lower shelf. Use the same short screws as before. Two screws for each bracket.
3. Find a position for the shelf and hold it against the wall. Make sure that it is level. Stick a screw through the holes to mark the drill holes on the wall.
4. Remove the shelf/desk from the wall. Drill the holes and insert rawlplugs. Attach the shelf/desk to the wall using the long screws.

CARE AND CLEANING

Care instructions: Clean with a damp cloth tightly wrung out in clean water. Then polish with a soft, dry cloth. Use a mild solution of universal cleaning agent

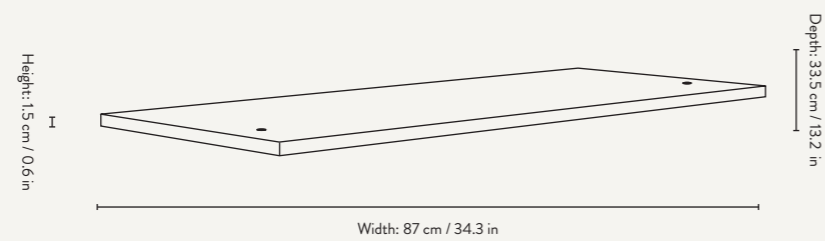


RACK SHELF



Width: 2.1 cm / 0.8 in

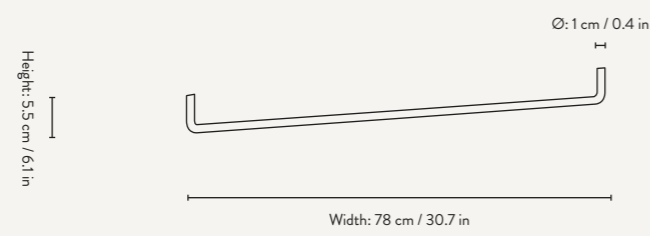
Width: 67 cm / 26.4 in



Height: 1.5 cm / 0.6 in

Width: 87 cm / 34.3 in

Depth: 33.5 cm / 13.2 in



Height: 5.5 cm / 2.1 in

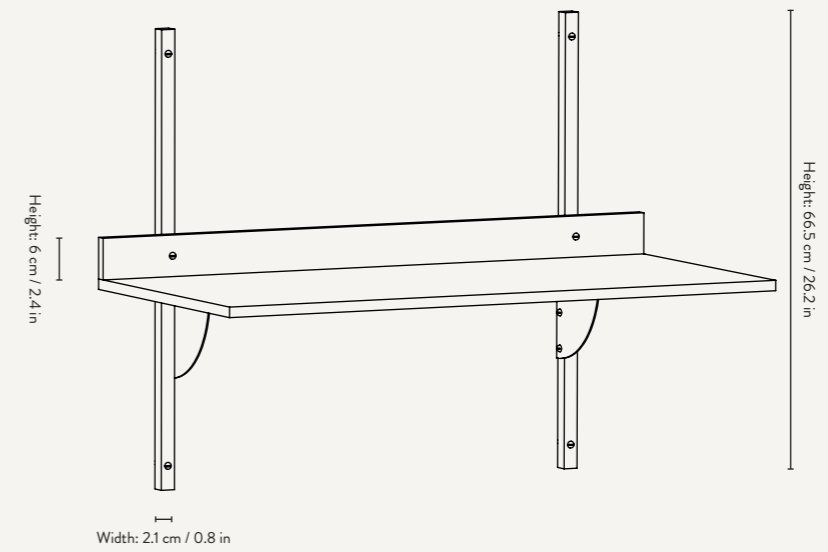
Width: 78 cm / 30.7 in

Ø: 1 cm / 0.4 in

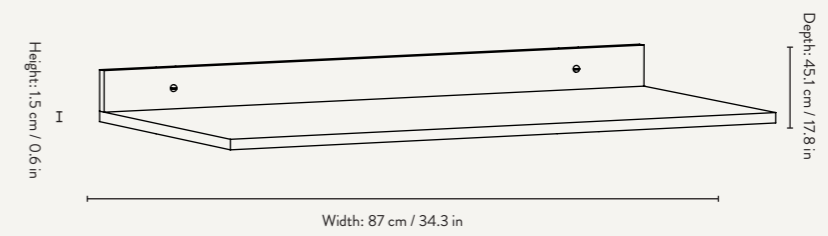




DESK

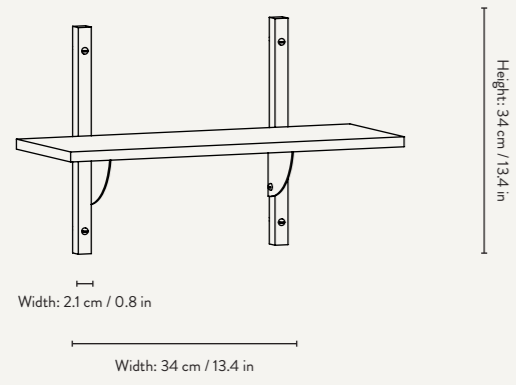


Width: 67 cm / 26.4 in

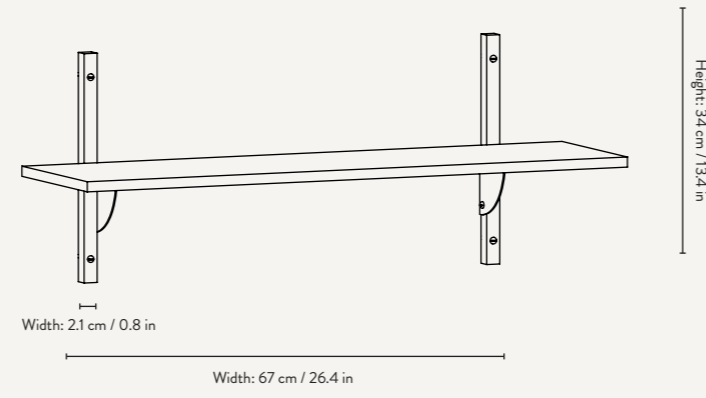


SHELF

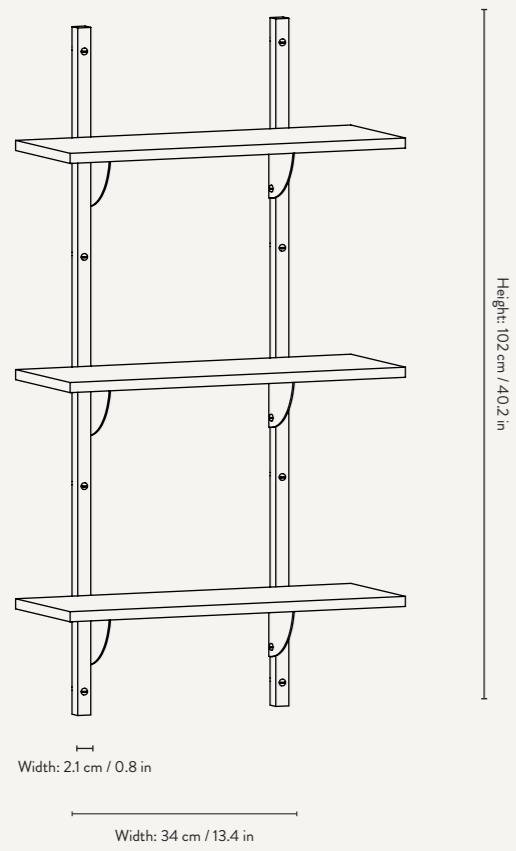
SINGLE NARROW



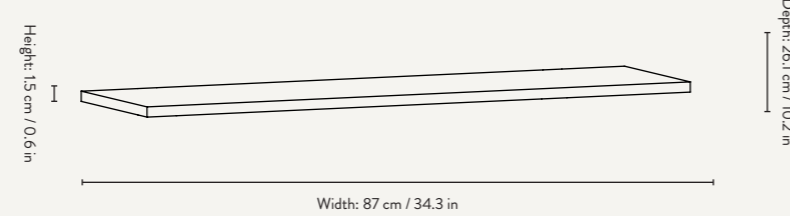
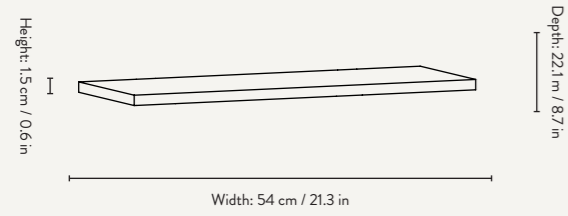
SINGLE WIDE



TRIPLE NARROW

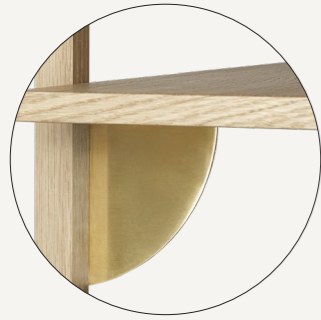


TRIPLE WIDE



BRACKETS

BRASS BRACKETS & NATURAL OAK



BLACK BRASS BRACKETS & NATURAL OAK



BRASS BRACKETS & BLACK ASH



BLACK BRASS BRACKETS & BLACK ASH



- 1103542858
Black Ash / Black Brass
- 1103532860
Black Ash / Brass
- 1103522859
Oak / Black Brass
- 1103512852
Oak / Brass



- 1103462858
Black Ash / Black Brass
- 1103452860
Black Ash / Brass
- 1103442859
Oak / Black Brass
- 1103432852
Oak / Brass

SECTOR SINGLE - NARROW

Size: H: 34 x W: 54 x D: 22.1 cm
H: 13.4 x W: 21.3 x D: 8.7 in
Material: Shelf: Natural oak or black stained ash veneer with MDF core. Profiles: Natural solid oak or black stained solid ash. Brackets: Brass or black brass
Care: Wipe with a damp cloth. Do not leave the surface wet. Brackets: This is a delicate surface. Please handle with care. Brass: Polish when needed. Solid brass is a natural material and will patinate over time.
Info: The shelf can hold up to 20 kg, provided it has been properly mounted onto an appropriate wall. The included rawlplugs can only be used for brick or concrete walls. Registered design
Country: Wooden parts: Poland. Brackets: India
Net. weight: 1.5 kg
Packsizes: 1

SECTOR SINGLE - WIDE

Size: H: 34 x W: 87 x D: 26.1 cm
H: 13.4 x W: 34.3 x D: 10.3 in
Material: Shelf: Natural oak or black stained ash veneer with MDF core. Profiles: Natural solid oak or black stained solid ash. Brackets: Brass or black brass
Care: Wipe with a damp cloth. Do not leave the surface wet. Brackets: This is a delicate surface. Please handle with care. Brass: Polish when needed. Solid brass is a natural material and will patinate over time.
Info: The shelf can hold up to 20 kg, provided it has been properly mounted onto an appropriate wall. The included rawlplugs can only be used for brick or concrete walls. Registered design
Country: Wooden parts: Poland. Brackets: India
Net. weight: 2.8 kg
Packsizes: 1

NEW



- 1104265324
Black Ash / Black Brass
- 1104265323
Black Ash / Brass
- 1104265322
Oak / Black Brass
- 1104265321
Oak / Brass



- 1104263249
Black Ash / Black Brass
- 1104263248
Black Ash / Brass
- 1104263247
Oak / Black Brass
- 1104263246
Oak / Brass



- 1103402858
Black Ash / Black Brass
- 1103412860
Black Ash / Brass
- 1103422859
Oak / Black Brass
- 1103392852
Oak / Brass



- 1103502858
Black Ash / Black Brass
- 1103492860
Black Ash / Brass
- 1103482859
Oak / Black Brass
- 1103472852
Oak / Brass

SECTOR RACK SHELF

Size: H: 34 x W: 87 x D: 37 cm
H: 13.4 x W: 34.4 x D: 14.6 in
Material: Shelf: Natural oak or black stained ash veneer with MDF core. Profiles: Natural or black stained solid oak. Rod and brackets: Brass or black brass
Care: Wipe with a damp cloth. Do not leave the surface wet. Brackets: This is a delicate surface. Please handle with care. Brass: Polish when needed. Solid brass is a natural material and will patinate over time.
Info: The shelf can hold up to 20 kg, provided it has been properly mounted onto an appropriate wall. The included rawlplugs can only be used for brick or concrete walls. Registered design
Country: Wooden parts: Poland. Brackets and rod: India
Net. weight: 1.5 kg
Packsizes: 1

SECTOR DESK

Size: H: 66.5 x W: 87 x D: 45.1 cm
H: 26.2 x W: 34.3 x D: 17.8 in
Material: Shelf: Natural oak or black stained ash veneer with MDF core. Profiles: Natural solid oak or black stained solid ash. Brackets: Brass or black brass
Care: Wipe with a damp cloth. Do not leave the surface wet. Brackets: This is a delicate surface. Please handle with care. Brass: Polish when needed. Solid brass is a natural material and will patinate over time.
Info: The desk can hold up to 20 kg, provided it has been properly mounted onto an appropriate wall. The included rawlplugs can only be used for brick or concrete walls. Registered design
Country: Wooden parts: Poland. Brackets: India
Net. weight: 5.5 kg
Packsizes: 1

SECTOR TRIPLE - NARROW

Size: H: 102 x W: 54 x D: 22.1 cm
H: 40.2 x W: 21.3 x D: 8.7 in
Material: Shelf: Natural oak or black stained ash veneer with MDF core. Profiles: Natural solid oak or black stained solid ash. Brackets: Brass or black brass
Care: Wipe with a damp cloth. Do not leave the surface wet. Brackets: This is a delicate surface. Please handle with care. Brass: Polish when needed. Solid brass is a natural material and will patinate over time.
Info: The shelf can hold up to 20 kg, provided it has been properly mounted onto an appropriate wall. The included rawlplugs can only be used for brick or concrete walls. Registered design
Country: Wooden parts: Poland. Brackets: India
Net. weight: 4.2 kg
Packsizes: 1

SECTOR TRIPLE - WIDE

Size: H: 102 x W: 87 x D: 26.1 cm
H: 40.2 x W: 34.3 x D: 10.3 in
Material: Shelf: Natural oak or black stained ash veneer with MDF core. Profiles: Natural solid oak or black stained solid ash. Brackets: Brass or black brass
Care: Wipe with a damp cloth. Do not leave the surface wet. Brackets: This is a delicate surface. Please handle with care. Brass: Polish when needed. Solid brass is a natural material and will patinate over time.
Info: The shelf can hold up to 20 kg, provided it has been properly mounted onto an appropriate wall. The included rawlplugs can only be used for brick or concrete walls. Registered design
Country: Wooden parts: Poland. Brackets: India
Net. weight: 7.8 kg
Packsizes: 1



Life is full of contrasts

As we navigate expectations and dreams in the search for meaning and comfort, we long for a balanced life with room for chaos and calm, moments of reflection and times of joy. A place where we can be ourselves, realise the true value of things and feel at home.

Based on a passion for authentic design and clear functionality, we challenge ourselves to shape the future and take pride in creating products that help you balance the contrasts of life.

Our soft forms, rich textures and deep colours allow you to create an authentic and composed atmosphere, while avant-garde shapes, striking patterns and curious details add a touch of the unexpected.

From our base in Copenhagen, we work with artisans around the world, fusing our Scandinavian mindset with global skills and traditions. We take our responsibility to people and the planet seriously and expect the same of our partners.

We create collections of furniture, accessories and lighting, so you can create space to feel comfortably you.

Welcome home.

